

# SCORPION RAM Mounts

## RAM MOUNT SOLUTIONS FOR THE SCORPION MOUNTING KITS

### POPULAR MOUNTING LOCATIONS

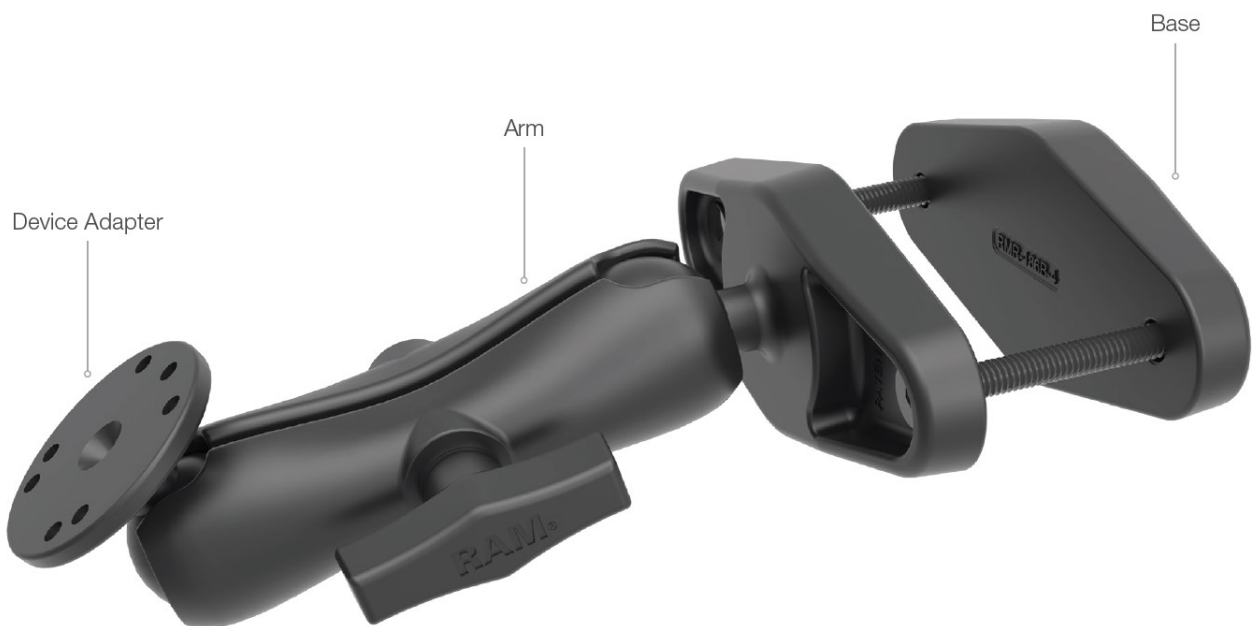
With the comprehensive range of RAM mount solutions, our active tablet holder can be mounted at the points described below. The following instructions will help you find a compatible mounting system for the driver's cab (6), for overhead mounting (1) or (2) or mounting on a round or square post. (3), (4) or (5).



# SCORPION RAM Mounts

## HOW IT WORKS

- 1 Choose a Base
- 2 Choose an Arm
- 3 Choose an Adapter



# SCORPION RAM Mounts

## BALL SIZE SELECTION GUIDE



### B Size

- 2,54cm diameter ball
- Holds up to 0,9 kg



### C Size

- 3,81cm diameter ball
- Holds up to 2,2 kg



### D Size

- 5,71cm diameter ball
- Holds up to 4,5 kg



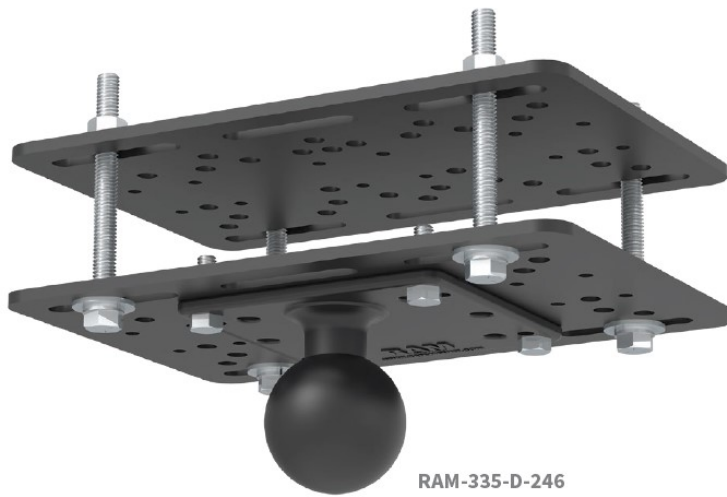
### E Size

- 8,58cm diameter ball
- Holds up to 11,3 kg

# SCORPION RAM Mounts

## BASE (1)

Mounting solutions for overhead installation



Part Number	Ball Size
RAM-335	No ball
RAM-335-246	1.5" (C)
RAM-335-D-246	2.25" (D)
RAM-335-E-346	3.38" (E)





# SCORPION RAM Mounts

## BASE (3)

Mounting solutions for installation on a squared post



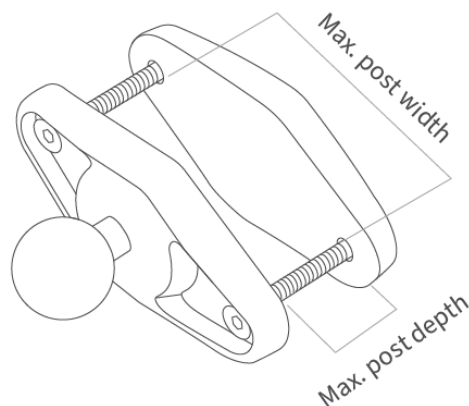
RAM-247U-4



RAM-D-247U-25



RAM-D-247U-4



Part Number	Ball Size	Max. post width	Max. post depth
RAM-B-247U-15	1" (B)	1.5"	2.125"
RAM-B-247U-17	1" (B)	1.75"	2.125"
RAM-B-247U-2	1" (B)	2"	1.875"
RAM-B-247U-25	1" (B)	2.5"	2.125"
RAM-B-247U-3	1" (B)	3"	1.875"
RAM-B-247U-4	1" (B)	4"	2.125"
RAM-247U-15	1.5" (C)	1.5"	2.125"
RAM-247U-17	1.5" (C)	1.75"	2.125"
RAM-247U-2	1.5" (C)	2"	1.875"
RAM-247U-25	1.5" (C)	2.5"	2"
RAM-247U-3	1.5" (C)	3"	1.875"
RAM-247U-4	1.5" (C)	4"	1.75"
RAM-247U-5	1.5" (C)	5"	1.625"
RAM-D-247U-15	1.5" (C)	1.5"	2.125"
RAM-D-247U-17	2.25" (D)	1.75"	2.125"
RAM-D-247U-2	2.25" (D)	2"	1.875"
RAM-D-247U-25	2.25" (D)	2.5"	1.875"
RAM-D-247U-3	2.25" (D)	3"	1.875"
RAM-D-247U-4	2.25" (D)	4"	1.75"
RAM-D-247U-5	2.25" (D)	5"	1.625"
RAM-E-247U-25	3.38" (E)	2.5"	1.75"

# SCORPION RAM Mounts

## BASE

Mounting solutions for installation on a round post

Part Number	Ball Size	Fits Posts
RAM-271U-12	1.5" (C)	1.25" - 1.785" diameter
RAM-271U-2	1.5" (C)	2" - 2.5" diameter
RAM-D-271U-12	2.25" (D)	1.25" - 1.785" diameter
RAM-D-271U-2	2.25" (D)	2" - 2.5" diameter



**RAM-271U-12**  
Suitable for cart applications



**RAM-D-271U-2**  
Suitable for Crown's work assist





# SCORPION RAM Mounts

## BASE (6)

Mounting solutions for installation in the drivers cabin



RAM-202U



RAM-D-202U



RAM-E-246U-IN1



Part Number	Ball Size
RAM-B-202U	1" (B)
RAM-202U-IN1	1.5" (C)
RAM-2461U-IN1	1.5" (C)
RAM-246U	1.5" (C)
RAM-D-202U-IN1	2.25" (D)
RAM-D-2461U	2.25" (D)
RAM-D-246U-IN1	2.25" (D)
RAM-E-202U-IN1	3.38" (E)
RAM-E-246U-IN1	3.38" (E)



# SCORPION RAM Mounts

## ARMS





# SCORPION RAM Mounts

## ARMS



**B Größe**  
RAM-B-201U

**C Größe**  
RAM-201U

**D Größe**  
RAM-D-201U

**E Größe**  
RAM-E-201U

### B Size 1"

Part Number	Length	Socket to Socket
RAM-B-201U-A	2.42"	1.75"
RAM-B-201U	3.73"	3.00"
RAM-B-201U-C 6.00"		5.31"

### C Size 1.5"

Part Number	Length	Socket to Socket
RAM-201U-B	3.56"	2.50"
RAM-201U	5.69"	4.66"
RAM-201U-D 9.13"		8.00"

### D Size 2.25"

Part Number	Length	Socket to Socket
RAM-D-201U-C	5.10"	3.60"
RAM-D-201U	8.44"	6.88"
RAM-D-201U-E	12.98"	11.41"

### E Size 3.38"

Part Number	Length	Socket to Socket
RAM-E-201U-D	7.25"	4.375"
RAM-E-201U	12.625"	9.875"

# SCORPION RAM Mounts

## DEVICE ADAPTER

For installation on our Mounting Kit



RAM-B-238U



RAM-202U



RAM-D-254U

Part Number	Ball Size
RAM-B-238U	1" (B)
RAM-B-202U	1" (B)
RAM-238U	1.5" (B)
RAM-202U	1.5" (B)
RAM-202U-IN1	1.5" (B)
RAM-D-254U	2.25" (D)



RAM-2461U



RAM-D-246U

Part Number	Ball Size	VESA
RAM-2462U	1.5" (C)	35mm x 75mm
RAM-2461U	1.5" (C)	75mm
RAM-2461U-IN1	1.5" (C)	75mm
RAM-246U	1.5" (C)	100mm
RAM-D-2462U	2.25" (D)	35mm x 75mm
RAM-D-2461U	2.25" (D)	75mm
RAM-D-246U-IN1	2.25" (D)	100mm
RAM-D-246U	2.25" (D)	100mm
RAM-E-246U	3.38" (E)	100mm
RAM-E-246U-IN1	3.38" (E)	100mm